



Dimplex[®]

Experience Better Living

Electric Fires Collection

Experience the Comfort of Dimplex Electric Fires

Around the world, millions of people delight in the warmth and comfort provided by Dimplex electric fires. For over 50 years, customers and partners have trusted our team, products, and brand to create inviting atmospheres in a safe and sustainable manner, without compromise.

Our commitment to innovation, market leadership, and the introduction of new categories reflects our passion for challenging the status quo. We strive to discover better solutions that enhance comfort and ambience, improving the lives of millions while collaborating closely with our trade partners and customers.

At Dimplex, our ultimate goal is to ensure that everyone experiences better living.

Why Choose Dimplex?

- **50 years of expertise in electric fires** - our focus is solely on electric fires, allowing us to dedicate our efforts to delivering the perfect solution for every customer.
- **Patented technologies** - all our flame technologies are patented, developed through continuous investment and a commitment to creating the ideal atmosphere in your living space.
- **Comprehensive product range** - we offer the widest selection in the market, catering to every need, from plug-and-play options to fully integrated solutions.
- **Reliable service** - our network specialises in electric fires and fireplaces, providing efficient and collaborative support to ensure your satisfaction.
- **Comfort & sustainability without compromise** - we are committed to delivering the most sustainable fire experiences for all homes, ensuring 100% safety and a zero impact on the environment.



Contents

Where to buy our fires	4
3-Year Guarantee	4
Flame Technology	5
Aspire	6
Ignite Ultra	8
Ignite Bold	10
Ignite Evolve	12
Vista	14
3-Step Multi	16
Cassette Project Multi	18
Cassette Retail Multi	20
Belgravia	22
Mapleton 100	24
Mapleton 80	26
Elsberry	28
Elva	30
Luna	32
Scala	34
Technical Specifications	36



Where to buy our electric fires

Experience the latest in electric fire innovation with our range of products designed to bring warmth, style, and convenience to your space. Our range of electric fires, including the cutting-edge Aspire & Ignite Ultra, the timeless Optimyst Cassettes, and the ultra-realistic Ignite Bold, are exclusively available for purchase through our authorised showroom partners.

In-Store

Visit one of our trusted retail partners to see our fires in action. Our exclusive retailers offer expert advice, demonstrations, and a personalised shopping experience to help you select the perfect model for your home or business.

The models within this brochure can be ordered through our showrooms. Visit our website to find your nearest retailer:

www.dimplexfires.com/en-uk/where-to-buy

After Sales Service

If you require after sales service please visit:
www.dimplexfires.com/en-uk/support

3-Year Guarantee

Please note that all Dimplex electric fires within this brochure come with our standard 2 year guarantee. To take advantage of the additional 12-months, simply complete the online registration within 28 days of purchase at:

www.dimplexfires.com/en-uk/register-your-dimplex-product

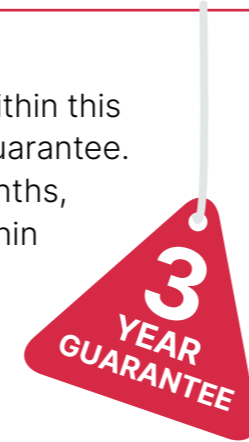
You can also call us on: **0344 879 1227** if you do not have access to the internet.

Products must be installed in accordance with the manufacturer's instructions and maintained in line with the Terms & Conditions, which are available at:

www.dimplexfires.com/en-uk/terms-and-conditions.

Safety Standards

Our products carry the CE and/or UKCA mark complying with safety standards for electro magnetic compatibility.



Flame Technology



Optiflame is the original Dimplex electric flame effect, which revolutionised the electric fire market when first launched in 1988. This innovative technology produces a mesmerising and lifelike flame that not only adds warmth but also creates a captivating ambience in any space.

With the assurance of complete safety, Optiflame offers the peace of mind that comes with a maintenance-free electric solution. Its enchanting flames invite you to relax and unwind, making it the perfect addition to enhance the atmosphere in your home. Discover how Optiflame can bring both style and comfort to your living environment.



Optimyst is the world's most realistic 3D electric flame effect for those looking for a truly authentic experience, combined with the safety and low maintenance that electric fires provide.

Patented by Dimplex, Optimyst offers a captivating flame experience like no other. This unique flame effect is created by an innovative combination of water vapour and light creating a captivating visual experience that not only adds a touch of elegance but also infuses your home with a comforting ambience. Experience the warmth and allure of the Optimyst flame for yourself and transform your living space into a serene retreat.



Opti-V is the first and original virtual flame technology, patented by Dimplex. This extraordinary innovation provides an incredibly realistic fire experience, with its stunning authenticity. Opti-V creates a captivating flame image that rivals that of a real fire while ensuring a completely maintenance-free operation.

What truly sets Opti-V apart is its remarkable ability to deliver a nearly perfect flame effect. This is achieved through a seamless integration of High Definition video and LED technology, producing a mesmerising display that enchants viewers from every angle. The result is a breathtaking illusion of flickering flames that adds warmth and ambience to any room.



Aspire 30-III

Aspire - Style meets warmth

Transform your space with the Aspire electric fire from Dimplex, where cutting-edge technology meets sophisticated design. This portrait-style electric fire brings contemporary elegance and cosy warmth to any room, creating a stunning focal point.

Enhanced by pulsating, glowing logs and the gentle crackle of burning wood, it offers an authentic fire experience that delights the senses. More than just a source of warmth, Aspire is a statement piece, blending modern aesthetics with advanced functionality. Its sleek design and customisable features allow you to tailor the look and feel to suit your home.

Key Features:

- **Advanced flame technology** - experience a new generation of patented Optiflame technology, delivering a highly realistic and stunning flame effect.
- **Realistic glowing logs** - features pulsating logs enhanced with inner glow technology that pulse in rhythm with the dancing flames.
- **Crackling sound effects** - enhance the atmosphere with realistic wood crackling sound effects for a more immersive fire experience.
- **Choice of installation options** - choose from 1, 2 or 3-sided installation options to frame the flame beautifully and add a refined design statement to your space.
- **Patented ComfortSaver technology** - energy efficient heater offering up to 11% saving on energy costs.
- **Flame Connect App** - tailor your fire experience with ease, adjusting settings to suit your mood at the touch of a button.



Discover it for yourself.

Scan the QR code to watch a video that will redefine your perception of the Aspire.





Ignite Ultra - Modern luxury, redefined

Elevate your home into a haven of elegance and warmth with the Ignite Ultra electric fire. Designed to deliver the ultimate luxury experience, this exquisite fire combines advanced technology with timeless style. The flickering flames and glowing logs, along with the crackling sounds create a mesmerising ambience, perfect for relaxing evenings.

This stunning fire not only enhances the aesthetics of your space but also offers the convenience and efficiency of modern electric heating. Available in 50", 60", 74" and 88" models, this electric fire brings both sophistication and comfort to your home.

Key Features:

- **Advanced flame technology** - experience a new generation of patented Optiflame technology, delivering a highly realistic and stunning flame effect.
- **Authentic glowing logs** - featuring pulsating logs with inner glow technology, perfectly synchronised with the flickering flames for an unmatched fireside experience.
- **Crackling sound effects** - enrich your senses with the soothing sound of wood crackling, completing the authentic fireplace atmosphere.
- **Versatile installation options** - choose from 1, 2 or 3-sided configurations to create a custom fireplace design that perfectly suits your space.
- **Patented ComfortSaver technology** - enjoy cosy warmth while saving up to 11% on energy costs with energy efficient heating.
- **Flame Connect App** - personalise your fire experience with ease, controlling flame effects, heat settings and more, all at your fingertips.



Step into the future of fire.

Scan the QR code to watch a video that showcases Ignite Ultra's full potential.





Ignite Bold 60-II

Ignite Bold - Designed to impress

Bring elegance and atmosphere to any space with the Ignite Bold, a beautifully realistic electric fire that combines modern design with advanced flame technology. Available in three versatile sizes - 50", 60" and 74" - it effortlessly enhances both residential and commercial environments.

Whether you are looking to create a cosy living room atmosphere or an elegant focal point, the Ignite Bold delivers the ultimate flame experience, blending sophisticated style with the convenience of electric heating.

Key Features:

- **Optiflame technology** - enjoy the warm, mesmerising glow of Dimplex's trusted Optiflame effect delivering realistic, flickering flames that bring instant ambience to any space.
- **High viewing tinted glass** - enjoy an unobstructed view of the realistic logs and flickering flames, creating a warm and inviting ambience.
- **Flexible installation options** - choose from 1, 2 or 3-sided configurations, offering endless possibilities for customisation to suit your space.
- **Patented ComfortSaver technology** - an energy-efficient heating solution that can reduce energy costs by up to 11%.
- **Flame Connect App** - effortlessly personalise your fire experience with the convenience of app control, all at your fingertips.
- **Optional oak log set** - add natural warmth with our one-piece oak log set, crafted to enhance the ambience and elevate the look of your fire.



Experience it for yourself.

Scan the QR code to watch a video that will transform the way you see the Ignite Bold fire.





Ignite Evolve 50 - Oak Log Set

Ignite Evolve - Media wall elegance

The Ignite Evolve fire is a sleek and sophisticated electric fire, designed with edge-to-edge glass which provides a panoramic view of the mesmerising flames. Available in a range of sizes - 50", 60", 74" and 100" - there is a model to suit any space or style.

With its slim design of just 147mm, it effortlessly complements both modern and classic settings, making it an ideal choice for media walls. The Ignite Evolve is the perfect fusion of style and convenience, offering flexibility and elegance for those looking to elevate their home or commercial environment.

Key Features:

- **Optiflame technology** - enjoy the warm, mesmerising glow of Dimplex's trusted Optiflame effect delivering realistic, flickering flames that bring instant ambience to any space.
- **Slim, seamless design** - At just 147mm deep, it fits effortlessly into any media wall. The edge-to-edge glass provides a flawless panoramic view of the flickering flames.
- **Patented ComfortSaver technology** - an energy-efficient heating solution that can reduce energy costs by up to 11%.
- **Flame Connect App** - effortlessly personalise your fire experience with the convenience of app control, all at your fingertips.
- **Fully customisable display** - allowing you to select flame and media bed colour, brightness and flame speed to your preference.
- **Oak log set** - for the utmost in realism, there is an option of an oak log set which is available as an accessory for the 50", 60" & 74" models.



See it in action

Scan the QR code to watch a video that will change how you experience the Ignite Evolve.





Vista 130-III

Vista - Innovation meets illusion

Experience the unmatched warmth and beauty of Vista, the next generation of Opti-V electric fires from Dimplex. With patented virtual flame technology, Vista delivers an authentic and captivating flame effect that rivals a real fire.

Through a stunning blend of high-definition video and LED lighting, the Vista creates a flame experience so lifelike you will forget it's not real. And with the option to enjoy up to 2kW of soothing heat or just the mesmerising flames on their own, you can set the perfect mood all year round.

Key Features:

- **Opti-V flame effect** - combining an advanced LCD screen with the Pepper's Ghost illusion, Vista delivers a flame so lifelike, it's pure magic.
- **Flexible design options** - choose between the 70 or 130 model with a choice of a 1 or 3-sided option to suit your room's style and layout.
- **Realistic flame sound** - enjoy the comforting crackle of a real fire with adjustable volume control to set the perfect mood.
- **LED glowing fuel bed** - a beautifully detailed, LED log effect fuel bed adds to the fire's realism and charm.
- **Slim profile & immersive view** - designed for easy installation, its sleek profile and expansive viewing window ensure a captivating fire experience.
- **Convenient remote control** - effortlessly adjust every function with a handy remote, from heat settings to flame brightness.



Immerse yourself in the experience

Scan the QR code to watch a video that will transform your perception of the Vista.





3-Step Multi - Immersive flame experience

Shape the atmosphere of your home with the 3 Step Optimyst electric fire. Its flexible, frameless design allows you to choose a one, two or three-sided layout, creating a modern feature that feels effortless and uniquely yours. Whether you are highlighting a cosy corner or defining an open-plan space, the 3 Step adapts beautifully to your vision.

The remarkably realistic Optimyst flames enhanced with adjustable colours bring movement, warmth and character to any room. From a soft evening glow to a vibrant burst of light, you can tailor the mood to match every moment. Add the gentle crackling sound, optional heat and simple control via the app or remote, and the 3 Step surrounds your home with a comforting, fireside ambience.

Key Features:

- **Patented Optimyst technology** - creates ultra-realistic flames using water vapour and light, delivering a lifelike fire effect that adds warmth and atmosphere to any room.
- **Flexible installation options** - designed for versatility, this fire can be installed as a one, two or three-sided unit to suit your space and style preferences.
- **Customisable flame colours** - tailor the look of your fire with a choice of blue, violet, red, aquamarine, or a blend of these vivid tones available through the app.
- **Realistic log set** - supplied with a hand-finished log set that enhances the overall realism, bringing the natural charm of a real fire into your home.
- **Easy-refill water reservoir** - features a front access drawer for hassle-free water refills, making it quick and straightforward.
- **Flame Connect App** - personalise your fire experience with ease using the Flame Connect App, allowing you to control flame effects and settings right from your phone.



Redefine your fire

Scan the QR code to watch a video that brings the 3 Step Optimyst fire to life.





Cassette Project Multi - Vision of realism

Create a truly standout feature with Optimyst Cassettes - the perfect choice for media walls, see-through fireplaces, and custom installations. Their ultra-realistic flame effect, created using a unique blend of water vapour and multicolour lighting, brings atmosphere to any room.

Available in 500 and 1000 sizes, up to five cassettes can be linked together to form one continuous, seamless flame display. Personalise your fire with adjustable flame intensity, a choice of colour settings and authentic crackling log sound effects, delivering effortless ambience that makes any room feel instantly more inviting.

Key Features:

- **Patented Optimyst technology** - creates ultra-realistic flames using water vapour and light, delivering a lifelike fire effect that adds warmth and atmosphere to any room.
- **Perfect for custom installations** - designed to fit seamlessly into bespoke fireplaces and media walls.
- **Automatic water supply** - connects directly to the mains for hassle-free operation - no need for manual refills.
- **Modular design** - easily connects and combines with other project Cassettes to create the ultimate statement piece in any space
- **Flame Connect App** - personalise your fire experience with control over flame intensity, colour and sound - all from your smart device.
- **Dual styling options** - select a modern metal plate for a clean, contemporary finish, or add the log-effect fuel bed (available separately) to create a classic, traditional look.



See it in action

Scan the QR code to watch a video that will transform the way you see Optimyst Cassettes.





Cassette Retail Multi - Flames that inspire

Transform your space with the vibrant, colour-changing beauty of Optimyst Multi Cassettes. Their mesmerising three-dimensional flames bring depth, movement and atmosphere to any room. Whether you want a soft, soothing glow or a bold, dramatic display, the fully adjustable colour settings let you shape the mood to suit every moment.

Perfect for media walls, see-through fireplaces or bespoke feature designs, these cassettes can be used individually or linked together for a continuous, striking flame effect. Available in 500 or 1000 sizes, each unit offers simple personalisation allowing you to adjust flame intensity, explore colour options and enjoy authentic crackling sound.

Key Features:

- **Patented Optimyst technology** - creates ultra-realistic flames using water vapour and light, delivering a lifelike fire effect that adds warmth and atmosphere to any room.
- **Perfect for custom installations** - designed to fit seamlessly into bespoke fireplaces and media walls.
- **Easy refill** - water tank allows for 8-10 hours of continuous operation before refilling is required
- **Modular design** - easily connects and combines with other retail Cassettes to create the ultimate statement piece in any space
- **Dual styling options** - choose between a sleek metal plate for a contemporary look or a realistic log-effect fuel bed (supplied separately) for a more traditional feel
- **Flame Connect App** - personalise your fire experience with control over flame intensity, colour and sound - all from your smart device.



Watch the Magic

Scan the QR code to see the Optimyst cassettes come to life and discover the realism.





Belgravia - Timeless classic atmosphere

Create the perfect setting for cosy evenings with the Belgravia electric stove. Blending classic style with a truly realistic flame effect, it evokes the charm of a traditional fire while offering the simplicity and convenience of modern living. Designed to bring both elegance and comfort, Belgravia enhances your home with warmth and style.

The rich glow and captivating flames bring warmth and character into any room, turning ordinary moments into special ones. Belgravia is more than just a stove, it is an experience of comfort, ambience and timeless beauty.

Key Features:

- **Opti-V flame technology** - patented by Dimplex, Opti-V combines HD video, LED lighting and the Pepper's Ghost illusion for an incredibly realistic flame experience.
- **Authentic crackling sound** - enjoy the comforting atmosphere of a traditional fire with a realistic crackling log sound, complete with adjustable volume control to suit your setting.
- **LED glowing log bed** - a beautifully crafted LED fuel bed with glowing log effect enhances the fire's authenticity and charm.
- **Effortless remote control** - take complete control of flame brightness, heat output and sound with a convenient remote or use the discreet manual controls behind the stove door.
- **Freestanding flexibility** - designed to suit any space, Belgravia is perfect for traditional inglenook settings or as a freestanding feature anywhere in the home – just plug in and enjoy.
- **Year-round ambience** - enjoy the flame effect with or without heat, creating a cosy atmosphere in any season.



Step inside the glow

Scan the QR code to watch the video and experience Belgravia's inviting ambience.





Flue pipe does not come with stove - needs to be purchased separately

Mapleton 100 - Naturally captivating style

Transform any room into a sanctuary of warmth and character with the Mapleton electric stove. Lifelike Optimyst flames fill the space with a mesmerising glow, while gentle crackles bring the charm of a traditional fire to your home. The three-sided view and opening door make it feel authentically inviting.

Up to 2.1kW of comforting heat keeps your room perfectly warm or enjoy the flames without heat for relaxing ambience all year. Remote and manual controls make adjusting the fire effortless, while the built-in log store adds both convenience and classic stove charm to every cosy evening.

Key Features:

- **Patented Optimyst technology** - creates ultra-realistic flames using water vapour and light, delivering a lifelike fire effect that adds warmth and atmosphere to any room.
- **3-Sided viewing** - enjoy a unique panoramic view of the flames and realistic logs through three sides of glass, creating an immersive fire experience from every angle.
- **Easy refill** - the discreet water tank is accessed by the opening door and provides 8-10 hours of continuous flame and smoke effect before refilling is required.
- **Freestanding flexibility** - the Mapleton's freestanding design makes it versatile and easy to position anywhere in your home, giving you maximum flexibility without compromising style.
- **Mapleton 80 model** - a compact version ideal for inglenooks or freestanding installations, offering the same stunning flame effect without a log store.
- **Optional flue collar** - available separately, the flue collar allows you to fit a decorative flue pipe for added authenticity and a classic stove look.



Where warmth meets style

Scan the QR code to watch the video and explore the beauty of the Mapleton





Mapleton 80 - Charm that lasts

Create a warm, inviting space with the Mapleton electric stove. Delivering up to 2.1kW of comforting heat, it quickly transforms a room into a cosy retreat. Lifelike Optimyst flames and subtle smoke create a captivating glow, while gentle crackling sounds enhance the authentic stove experience.

Three-sided glass panels showcase the fire from every angle, while the opening door adds a touch of traditional charm. Remote and manual controls make adjusting the flames and heat effortless, creating a welcoming, cosy atmosphere in any room.

Key Features:

- **Patented Optimyst technology** - creates ultra-realistic flames using water vapour and light, delivering a lifelike fire effect that adds warmth and atmosphere to any room.
- **3-Sided viewing** - enjoy a unique panoramic view of the flames and realistic logs through three sides of glass, creating an immersive fire experience from every angle.
- **Easy refill** - the discreet water tank is accessed by the opening door and provides 8-10 hours of continuous flame and smoke effect before refilling is required.
- **Freestanding flexibility** - the Mapleton's freestanding design makes it versatile and easy to position anywhere in your home, giving you maximum flexibility without compromising style.
- **Mapleton 100 model** - available as a larger stove with a log store, offering the same stunning flame effect for those who want a classic feature in their room.
- **Optional flue collar** - available separately, the flue collar allows you to fit a decorative flue pipe for added authenticity and a classic stove look.



Embrace the warmth

Scan the QR code to watch the video and discover the magic of the Mapleton.



Elsberry Black

Elsberry - Essence of ambience

Blending modern design with the immersive realism of Optimyst technology, the Elsberry inset electric fire adds warmth and atmosphere to any room. Its gentle, lifelike flames create an inviting sense of comfort, filling your space with a soothing ambience that enhances everyday living.

With up to 2kW of comforting heat, the Elsberry helps you stay cosy on cooler days, while the mesmerising Optimyst flames can be enjoyed at any time of year. Effortless to use and wonderfully atmospheric, it transforms your space into a place of comfort, relaxation and effortless style.

Key Features:

- **Patented Optimyst technology** - creates ultra-realistic flames using water vapour and light, delivering a lifelike fire effect that adds warmth and atmosphere to any room.
- **2kW Heat output** - choose from two heat settings to add extra warmth when you need it, or simply enjoy the mesmerising flame effect on its own for year-round ambience
- **Optional spacer kit** - the Elsberry can be installed with an optional spacer kit, offering flexible placement whether freestanding against a wall or fitted within a fire surround.
- **Remote control** - take full control of your comfort and ambience, easily adjusting the flame effect and heat from the convenience of the remote.
- **Stylish finishes** - choose from antique brass, black or chrome, each finish crafted to bring elegance and harmony to your space.
- **All-season ambience** - enjoy the captivating flame effect year-round, even when the heat is turned off, bringing mood and atmosphere to any moment.



Discover the magic

Scan the QR code to watch the Elsberry magical flames come to life.





Elva - Neo Gold

Elva - Warmth made beautiful

Effortlessly combining style, comfort and convenience, the Elva inset electric fire brings welcoming warmth and year-round ambience to any home, all without the need for a chimney or flue. With a choice of finishes, it fits beautifully into both modern and traditional interiors

With up to 2kW of heat, the Elva keeps your room perfectly warm or lets you enjoy the flames without heat. Its elegant design and effortless operation make it a stylish centrepiece. A perfect blend of light, warmth and atmosphere for any living space.

Key Features:

- **Optiflame technology** - enjoy the warm, mesmerising glow of Dimplex's trusted Optiflame effect delivering realistic, flickering flames that bring instant ambience to any space.
- **2kW Heat output** - select from two heat settings for extra warmth when you need it or enjoy the realistic flame effect on its own for year-round ambience.
- **Optional spacer kit** - an optional spacer kit allows for versatile installation, which enables the fire to be used freestanding against a wall or within a fire surround
- **Remote control** - effortlessly adjust flame effects, ambient lighting and heat settings with the sleek remote control.
- **Multiple finish options** - choose from black nickel, brushed chrome or neo gold to complement any interior.
- **Customisable ambience** - choose from multiple flame brightness and ambient lighting settings to create the perfect mood, whether you want a soft, subtle glow or a vibrant flickering fire.



Watch Elva in Motion

Scan the QR code to watch the video and see Elva's cosy glow in action.





Luna Black Nickel

Luna - Instant chic ambience

Effortlessly combining modern style with comforting warmth, the Luna inset electric fire transforms any room into a cosy retreat. Delivering up to 2kW of heat, it creates year-round ambience, while multiple flame and lighting settings let you tailor the mood at the touch of a sleek remote.

Available in a choice of colour options, Luna suits interiors from contemporary to classic. Featuring Dimplex's Optiflame technology, its realistic, flickering flames can be enjoyed with or without heat, offering style and versatility in equal measure.

Key Features:

- **Optiflame technology** - enjoy the warm, mesmerising glow of Dimplex's trusted Optiflame effect delivering realistic, flickering flames that bring instant ambience to any space.
- **2kW Heat output** - select from two heat settings for extra warmth when you need it or enjoy the realistic flame effect on its own for year-round ambience.
- **Optional spacer kit** - an optional spacer kit allows for versatile installation, which enables the fire to be used freestanding against a wall or within a fire surround
- **Remote control** - effortlessly adjust flame effects, ambient lighting and heat settings with the sleek remote control.
- **Multiple finish options** - choose from black nickel, brushed chrome or neo gold to complement any interior.
- **Customisable ambience** - choose from multiple flame brightness and ambient lighting settings to create the perfect mood, whether you want a soft, subtle glow or a vibrant flickering fire.



Experience Luna's Elegance

Scan the QR code to watch the video for a closer look at its stunning flame display.





Scala 22" Brushed Chrome

Scala - Effortless modern style

Make a statement with the Scala inset electric fire where modern design meets inviting warmth. Available in two sizes, 16" and 22", Scala brings a bold, contemporary feel to your home, creating the perfect balance of style and comfort. Finished in a choice of black nickel or brushed chrome, Scala adds a touch of refined sophistication to any room.

Its realistic flame effect and ambient lighting create a soothing glow that transforms everyday moments into cosy occasions. With up to 2kW of heat and a convenient remote control, you can adjust warmth and flame settings with ease creating the perfect atmosphere, whatever the season.

Key Features:

- **Optiflame technology** - enjoy the warm, mesmerising glow of Dimplex's trusted Optiflame effect delivering realistic, flickering flames that bring instant ambience to any space.
- **2kW Heat output** - select from two heat settings for extra warmth when you need it or enjoy the realistic flame effect on its own for year-round ambience.
- **Optional spacer kit** - an optional spacer kit allows for versatile installation, which enables the fire to be used freestanding against a wall or within a fire surround, even where inset depth is limited.
- **Remote control operation** - effortlessly adjust flame effects, ambient lighting and heat settings with the sleek remote control.
- **Available in 16" or 22" sizes** - the 16" is perfect for smaller spaces, while the 22" makes more of a statement without needing a bigger fireplace.
- **Customisable ambience** - choose from multiple flame brightness and ambient lighting settings to create the perfect mood, whether you want a soft, subtle glow or a vibrant flickering fire.



Experience the Charm

Scan the QR code to watch the video and explore Scala's inviting atmosphere.



Technical Specifications

Model	Flame Effect	Product Type	Heat Output kW	Flame/Media Bed Colours	Power Consumption	Controls	View Type	Height	Width	Depth	Weight
ASP30-EU Aspire 30	Optiflame	Built-in	2kW	Yes	21W	Remote/App	1, 2 or 3-Sided	953mm	777mm	445mm	82kg
ULT50-EU Ignite Ultra 50	Optiflame	Built-in	2kW	Yes	21W	Remote/App	1, 2 or 3-Sided	699mm	1285mm	369mm	84kg
ULT60-EU Ignite Ultra 60	Optiflame	Built-in	2kW	Yes	25W	Remote/App	1, 2 or 3-Sided	699mm	1539mm	369mm	98kg
ULT74-EU Ignite Ultra 74	Optiflame	Built-in	2kW	Yes	29W	Remote/App	1, 2 or 3-Sided	699mm	1895mm	369mm	121kg
ULT88-EU Ignite Ultra 88	Optiflame	Built-in	2kW	Yes	33W	Remote/App	1, 2 or 3-Sided	699mm	2250mm	369mm	144kg
BXLF1200-Ignite Bold 50	Optiflame	Built-in	2kW	Yes	19W	Remote/App	1, 2 or 3-Sided	607mm	1246mm	289mm	44kg
BXLF1500-Ignite Bold 60	Optiflame	Built-in	2kW	Yes	23W	Remote/App	1, 2 or 3-Sided	607mm	1585mm	289mm	51.5kg
BXLF1800-Ignite Bold 74	Optiflame	Built-in	2kW	Yes	27W	Remote/App	1, 2 or 3-Sided	607mm	1883mm	289mm	57kg
EVO1200 Ignite Evolve 50	Optiflame	Built-in	2kW	Yes	19W	Remote/App	1-Sided	419mm	1306mm	147mm	31.8kg
EVO1500 Ignite Evolve 60	Optiflame	Built-in	2kW	Yes	23W	Remote/App	1-Sided	419mm	1560mm	147mm	37.2kg
EVO1800 Ignite Evolve 74	Optiflame	Built-in	2kW	Yes	27W	Remote/App	1-Sided	419mm	1941mm	147mm	44.9kg
EVO2500 Ignite Evolve 100	Optiflame	Built-in	2kW	Yes	35W	Remote/App	1-Sided	419mm	2576mm	147mm	59.7kg
VST70-I- Vista 70 Opti V	Opti-V	Built-in	2kW	No	35W	Remote	1-Sided	670mm	705mm	398mm	43.4kg
VST70-III - Vista 70 Opti V	Opti-V	Built-in	2kW	No	35W	Remote	3-Sided	670mm	770mm	398mm	46.4kg
VST130-I Vista 130 Opti V	Opti-V	Built-in	2kW	No	70W	Remote	1-Sided	670mm	1325mm	398mm	70.5kg
VST130-III Vista 130 Opti V	Opti-V	Built-in	2kW	No	70W	Remote	3-Sided	670mm	1390mm	398mm	74kg
3-STEP-RGB 3 Step Multi	Optimyst	Built-in	1.26kW	Yes	260W	Remote/App	3-Sided	775mm	762mm	391mm	52kg
CAS500P-RGB Cassette 500 Project Multi	Optimyst	Cassette	n/a	Yes	260W	Remote/App	4-Sided	210mm	508mm	300mm	8kg
CAS1000P-RGB Cassette 1000 Project Multi	Optimyst	Cassette	n/a	Yes	470W	Remote/App	4-Sided	210mm	1017mm	300mm	15kg
CAS500R-RGB Cassette 500 Retail Multi	Optimyst	Cassette	n/a	Yes	260W	Remote/App	4-Sided	210mm	508mm	300mm	8kg
CAS1000R-RGB Cassette 1000 Retail Multi	Optimyst	Cassette	n/a	Yes	470W	Remote/App	4-Sided	210mm	1017mm	300mm	15kg
BLG20 Belgravia Opti-V Stove	Opti-V	Stove	2kW	No	25W	Manual/Remote	1-Sided	657mm	632mm	440mm	31kg

Technical Specifications

Model	Flame Effect	Product Type	Heat Output kW	Flame/Media Bed Colours	Power Consumption	Controls	View Type	Height	Width	Depth	Weight
MPT80 Mapleton Optimyst Stove	Optimyst	Stove	2.1kW	No	130W	Manual/Remote	3-Sided	764mm	463mm	442mm	52.5kg
MPT100LS Mapleton Log Store Optimyst Stove	Optimyst	Stove	2.1kW	No	130W	Manual/Remote	3-Sided	965mm	463mm	442mm	58.2kg
ELS20AB-LED-UK - Elsberry Antique Brass	Optimyst	Inset	2kW	No	13W	Manual/Remote	n/a	625mm	486mm	196mm	12kg
ELS20BL-LED-UK - Elsberry Black	Optimyst	Inset	2kW	No	13W	Manual/Remote	n/a	625mm	486mm	196mm	12kg
ELS20BL-LED-UK - Elsberry Chrome	Optimyst	Inset	2kW	No	13W	Manual/Remote	n/a	625mm	486mm	196mm	12kg
ELV16CH Elva Brushed Chrome	Optiflame	Inset	2kW	Yes	13W	Manual/Remote	n/a	617mm	532mm	218mm	13.6kg
ELV16BN Elva Black Nickel	Optiflame	Inset	2kW	Yes	13W	Manual/Remote	n/a	617mm	532mm	218mm	13.6kg
ELV16NG Elva Neo Gold	Optiflame	Inset	2kW	Yes	13W	Manual/Remote	n/a	617mm	532mm	218mm	13.6kg
LUN16CH Luna Brushed Chrome	Optiflame	Inset	2kW	Yes	13W	Manual/Remote	n/a	617mm	532mm	193mm	11.9kg
LUN16BN Luna Black Nickel	Optiflame	Inset	2kW	Yes	13W	Manual/Remote	n/a	617mm	532mm	193mm	11.9kg
LUN16NG Luna Neo Gold	Optiflame	Inset	2kW	Yes	13W	Manual/Remote	n/a	617mm	532mm	193mm	11.9kg
SCA16CH Scala Brushed Chrome	Optiflame	Inset	2kW	Yes	13W	Manual/Remote	n/a	619mm	534mm	197mm	12kg
SCA16BN Scala Black Nickel	Optiflame	Inset	2kW	Yes	13W	Manual/Remote	n/a	619mm	534mm	197mm	12kg
SCA22CH Scala Brushed Chrome	Optiflame	Inset	2kW	Yes	13W	Manual/Remote	n/a	619mm	684mm	197mm	14.7kg
SCA22BN Scala Black Nickel	Optiflame	Inset	2kW	Yes	13W	Manual/Remote	n/a	619mm	684mm	197mm	14.7kg

Specifications

At Dimplex our policy is one of continuous improvement; the Company therefore reserves the right to alter specifications without notice. Although every care has been taken in the reproduction of product finishes in this brochure, the colour photographs and the flame effects should be taken only as a guide.

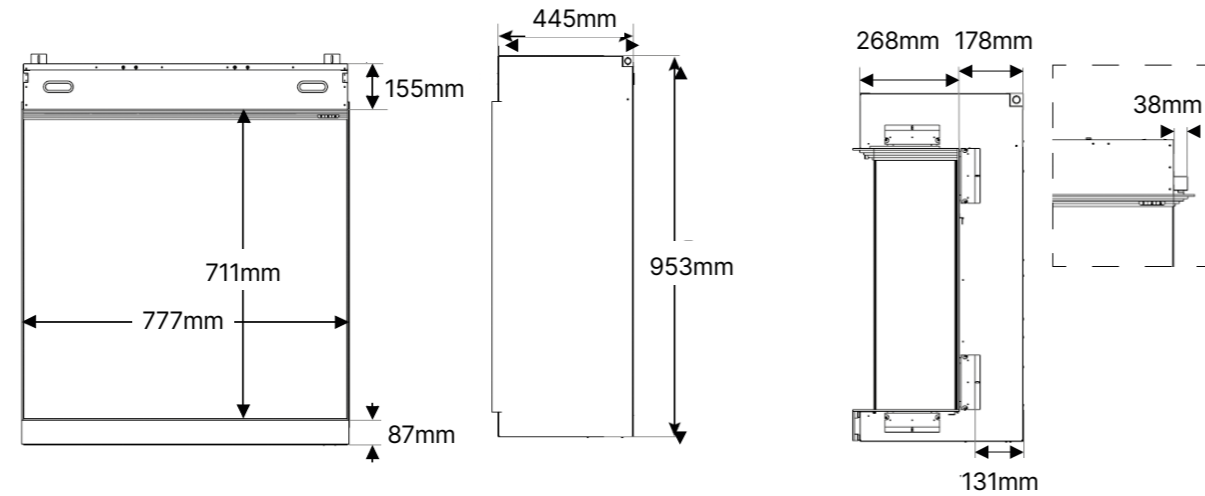
Though accurate at the time of printing, this brochure is not intended to replace any installation manuals which provide more detailed information.

The statutory rights of the consumer are not affected. No liability will be accepted for problems caused by poor installation or misuse of the product. You are advised to consult your dealer before purchasing.

Detailed Dimensions

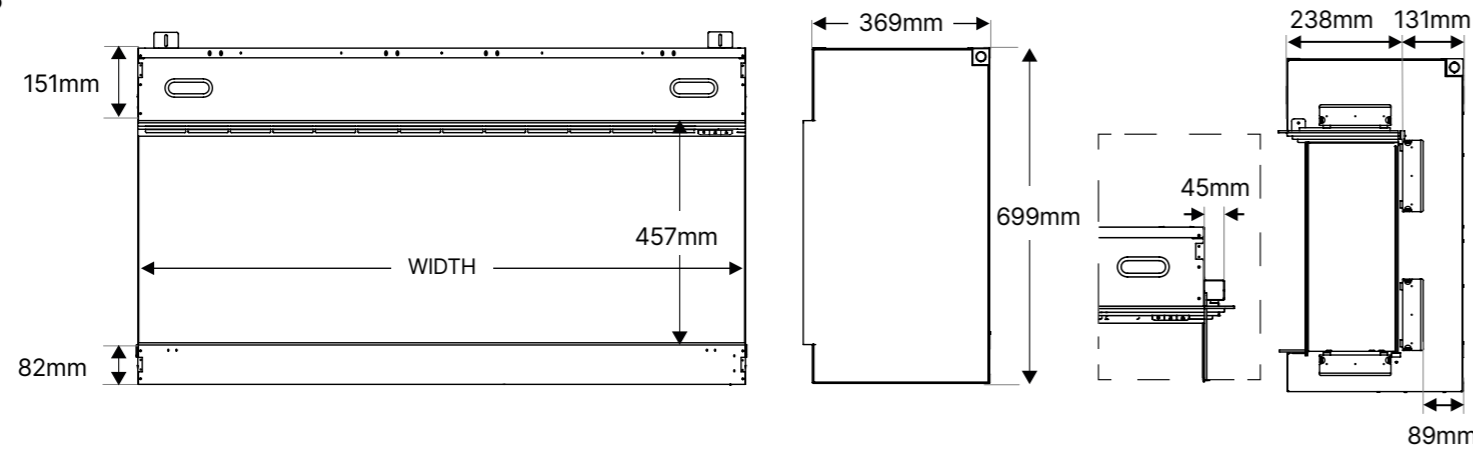
Aspire 30

Model	Width
Aspire 30	777mm



Ignite Ultra 50 | 60 | 74 | 88

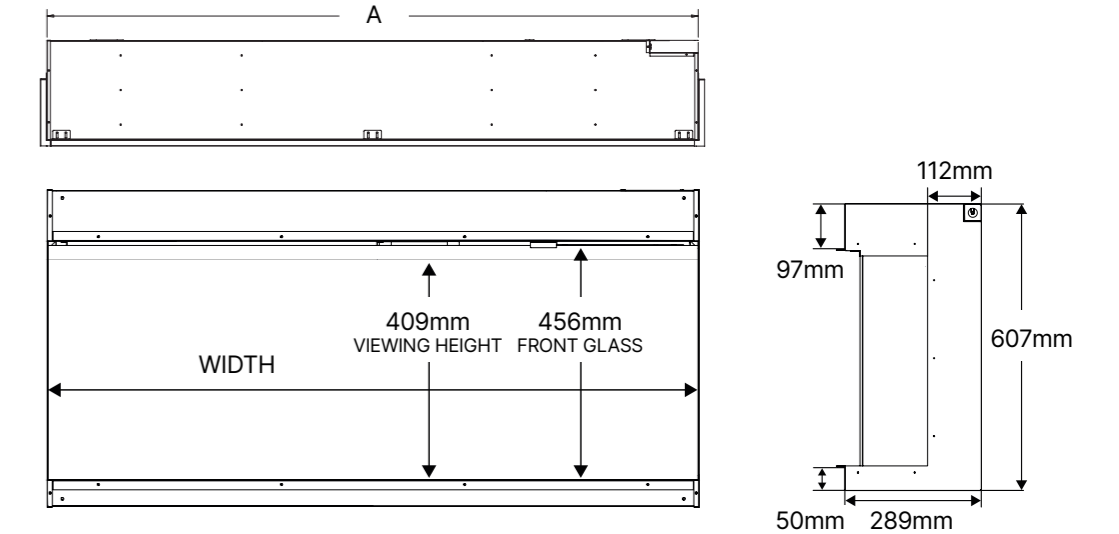
Model	Width
Ignite Ultra 50	1285mm
Ignite Ultra 60	1539mm
Ignite Ultra 74	1895mm
Ignite Ultra 88	2250mm



Detailed Dimensions

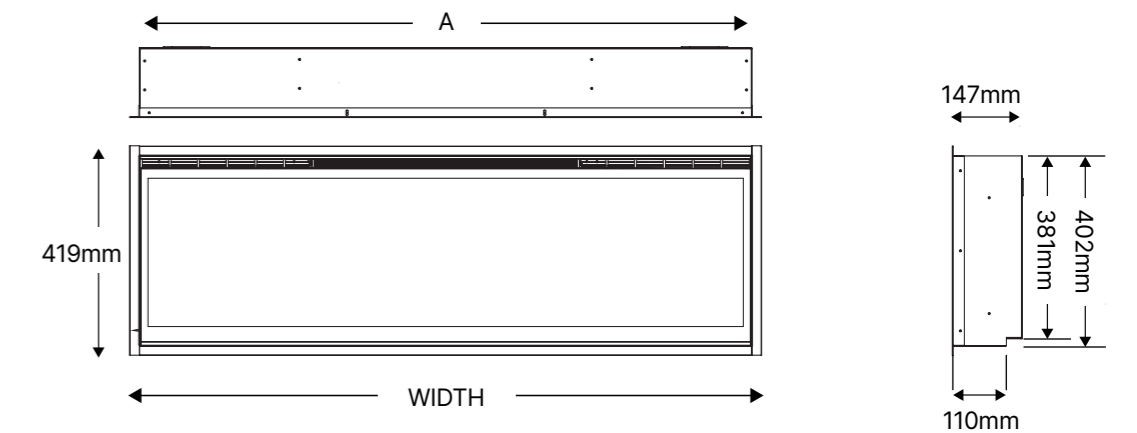
Ignite Bold 50 | 60 | 74

Model	Width	A
Ignite Bold 50	1246mm	1246mm
Ignite Bold 60	1565mm	1565mm
Ignite Bold 74	1883mm	1883mm



Ignite Evolve 50 | 60 | 74 | 100

Model	Width	A
Ignite Evolve 50	1306mm	1278mm
Ignite Evolve 60	1560mm	1532mm
Ignite Evolve 74	1941mm	1887mm
Ignite Evolve 100	2576mm	2548mm



Ignite Bold - Choice of Logs



Oak Logs

The Ignite Bold comes with realistic logs, combined with tumbled glass to create a captivating blend of warmth and modern elegance.



Optional Oak Log Set

Complete the look of your fire with our optional one-piece oak log set, designed to bring an authentic, natural charm to your interior. It is an effortless way to elevate the ambience and look of your fire.

Ignite Evolve - Choice of Logs



Driftwood

The Ignite Evolve includes a beautiful Driftwood log set paired with tumbled glass, creating a stunning natural look for your fire.



Optional Oak Log Set

Enhance the look of your fire with our optional oak log set, available for the 50", 60", and 74" models. It's the perfect way to add a touch of natural realism to your space."

Aspire & Ultra - Glowing Logs

Immerse yourself in a truly realistic fire experience

The Aspire and Ignite Ultra takes realism to the next level with stunning, glowing logs, crafted to mimic the look and feel of a traditional fire. Featuring advanced inner glow technology, these logs come to life with a natural, pulsing glow that mimics the warmth and flickering light of a real wood fire. As the flames dance across the logs, they respond with dynamic, lifelike radiance, creating an enchanting and truly immersive ambience that brings your space to life.

What sets these fires apart is not just the visual experience, it's the sound that completes the illusion. The built-in crackling sound effects replicate the comforting sounds of burning wood, adding a layer of authenticity that you can almost feel. The sounds harmonise with the flickering flames, enriching the atmosphere and creating a warm, cosy environment perfect for unwinding.

The Ignite Ultra's glowing logs offer an unmatched sensory experience. With the combined effects of visual brilliance and realistic sounds, this electric fire redefines what it means to have a fire indoors - offering all the beauty and comfort of a traditional fireplace, with the convenience and safety of modern technology.



Ignite Bold - Colour Options

On the Ignite Bold & Evolve range of electric fires, you can set the perfect mood for any occasion. Featuring adjustable flame and media bed colour options, you can tailor your fire to suit your style or the atmosphere you want to create. Enhance the ambience with customisable lighting effects that suit your mood and style. You can also choose from the following colour cycles to create the perfect atmosphere:

Prism - media bed and overhead lighting gradually transition through a range of colours.

Kaleidoscope - media bed and overhead lighting change colours independently at varying speeds for a dynamic effect.

Midnight Mode - both the media bed and overhead lighting are turned off.

Explore a world of colour at your fingertips, allowing you to effortlessly enhance the aesthetic of your space with just the touch of a button. Change the flame colours to match your décor, season, or simply your mood—endless possibilities await.

Ignite Bold



Blue Red White Violet Green

Ignite Evolve



Blue Red White Violet Green

How does Optimyst work?



Believe in the magic of Optimyst

Step into a world where fire meets innovation. Our patented Optimyst flame technology creates stunning, realistic flames from water, thanks to ultrasonic mist and LED lighting. It is a completely unique way to enjoy the beauty of a fire. No burning logs, no smoke - just pure visual magic. Get ready to experience flames like you have never seen before.

How it works

This unique effect is made possible by the Optimyst glass disk transducer, which sits inside an Optimyst fire and creates the ultra-fine mist that forms a key part of the world's most realistic electric flame effect.

The transducer uses ultrasonic technology to create an ultra-fine water mist via a glass/ceramic disk within the transducer which vibrates at high speed. The resultant mist rises through the log bed and reflects the light from the lamps within the unit, creating the incredibly realistic, three-dimensional illusion of flame and smoke.

Ventilation

Optimyst cassettes & 3 Step models require free ventilation from underneath to operate correctly. There are slots on the underside of the product to allow this free air through the product. The free ventilation helps keep the electronic components cool and allows the mist to rise and leave the product.

Please refer to the installation instructions before undertaking any installation work.



Flame Connect App



The Flame Connect App puts power in the palm of your hand. Quickly and easily control your electric fire from anywhere in your home, customising a bespoke flame effect to create a unique and stunning centrepiece for any room.

The App allows you to adjust the heat and thermostat, change the flame speed and brightness, media bed colours, and even add a coloured accent to the flickering flames. Whether you want a traditional effect of orange flames over glowing logs to warm a Winter evening, or yellow and blue flames dancing above a bed of tumbled glass on a Summer evening, the Flame Connect app lets you create the perfect atmosphere whatever the occasion.

- Simply scan and connect to Bluetooth to communicate directly with your fire.
- Quickly change modes and settings on your fire to suit your mood.
- Set product schedules to automate your fire's on/off times.
- Change flame effect settings and media bed colours on supported products.
- Prevent unauthorised product access by linking ownership of your fire with your account.
- Enable guest mode for temporary access to other Flame Connect trusted users.
- Support for multiple languages and a choice of Fahrenheit and Celsius readout.

Connecting your fire to the app is simple: just scan the code or manually enter it into the app, and you are ready to go.



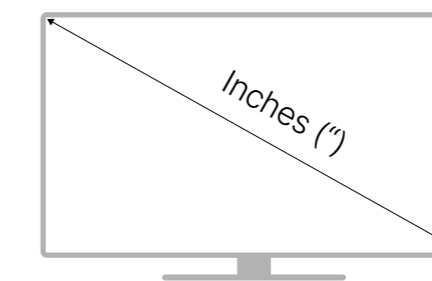
TV Sizing

Selecting the right size for your Dimplex electric fire and TV is influenced by both the available space and your personal taste. Since actual TV sizes can differ among manufacturers, it's essential to consider how your TV will be installed—whether it's mounted on the wall or fitted into a cavity recess. These factors can significantly affect how your TV harmonises with the electric fire, creating a cohesive and stylish look in your living space.

To achieve the perfect aesthetic, consulting with your retailer can be invaluable. They can assist you in determining the optimal sizes for both your Dimplex electric fire and TV, ensuring they complement each other beautifully. By taking the time to choose wisely, you can create an inviting and visually stunning focal point in your home that balances both warmth and entertainment.

Suggested fire & TV size combinations

Fire Size Width	TV Size	Fire Size Width	TV Size
50" (1270mm)	50" - 55"	74" (1879mm)	65" - 75"
60" (1524mm)	55" - 65"	100" (2540mm)	85" +



Note: Measuring your TV size is easier than it seems. The size of a TV is determined by its diagonal measurement, taken from the top-left corner of the screen to the bottom-right corner. Typically, TV sizes are given in inches.



Experience Better Living

Millbrook House
Grange Drive
Hedge End
Southampton
SO30 2DF

T: 0344 879 1227

E: flamesupportuk@glendimplex.com

www.dimplexfires.com

Follow us



@dimplexfires

© Dimplex All rights reserved. Material contained in this publication may not be reproduced in whole or in part, without prior permission in writing of Dimplex. Dimplex is a Registered Trade Mark in the United Kingdom. All Optiflame fires are protected by patent nos GB2230335, AU621713, USA4965707, IE63651 and NZ232435. All Optiflame, Optiflame 3D, Optimyst fires are protected by multiple worldwide patents. All the products shown in this brochure are protected by intellectual property rights owned by Dimplex or members of the Glen Dimplex Group on an international basis. The Glen Dimplex Group of Companies will actively protect these rights.