

ARADA  
— DEVON —



Contemporary Living  
Putting warmth at the heart of the home

# ARADA

— DEVON —

From the tiny acorn of a small engineering firm founded in 1966 the core ideals of designing and manufacturing affordable, robust and pleasurable products for the British homeowner are still at the heart of Arada.




*"We've been warming homes and hearts for decades"*

Transformed into a mighty oak at our 54,000 sq.ft manufacturing base in Axminster, we design, manufacture and globally distribute not just wood and multi-fuel stoves, but also bioethanol fires, stove accessories, spares and outdoor heating appliances.



An Arada stove is so much more than just a black steel box, each one starts life in the hands of our craftsmen. Raw steel is crafted with precision. Exacting joints are welded at 1500°C. Sparks fly as surfaces are perfected.

Our appliances bear the hallmarks of being designed, engineered and built in Britain by people who take pride in a job well done and that believe that ownership of an Arada stove should be a pleasure.



*"The Arada badge is your 'built-to-last' guarantee."*

Our stoves come with either lifetime or extra-long life stove body guarantees. We won't ask you to register first either, our guarantees come as standard\*.



\*Stove must have been purchased from an authorised retailer and installed following regulations governing the fitting of wood burning and solid fuel appliances in the country of installation.

Boiler stoves have a three year guarantee



## Modern & Traditional Stove Styles

Our collection of stoves are designed to suit the look and style of different homes, whether it's to upgrade a classic fireplace or as a statement in a contemporary open-plan living space.

## Continuous Innovation

We seek out and develop new home heating appliances in a drive to solve some of the great energy challenges we all face today. Our bioethanol stoves produce no particulate emissions and run on a renewable liquid fuel and our Ecodesign compliant boiler stove brings practical water heating to all homes, even if they are off-grid.



## Colour & Accessories

We also design and manufacture extras such as log stores, stands, pedestals, handles and more to nail the practicalities of owning a stove. In addition we offer up to 15 different colour options across almost every stove model and accessory letting you create the perfect focal point for your room

## Outdoor Living

We're not just about stoves either! We've brought our heating design and expertise to the great outdoors with a range of attractive garden fire pits, chimeneas, and more. Each appliance is guaranteed to become a cosy focal point at any outdoor event



# I Series Cassette – i400 (S3)



The third-generation i400 is shown with optional 4-sided trim and stainless steel glass supports (standard)

*The third-generation of Arada I Series stoves are sleek, cutting-edge cassette stoves, the perfect choice for the modern, energy-conscious households.*

*With this generation features significant comes improvements in fuel efficiency and reduced emissions than previous iSeries stoves.*

*A redesigned pre-heated airwash system keeps the glass clearer than ever before. I Series stoves can be installed at the hearth level or raised-up for the 'media-wall' effect, with optional 60mm trims in different colours for tidy installation into tiled walls.*

## Features

- Lifetime guarantee
- Ecodesign, exempt appliance suitable for use in Smoke Control Areas
- Preheated airwash system for clean glass
- Burns Wood or Solid Smokeless Fuels
- Stainless steel ash pan
- 3 and 4-sided 60mm decorative trim options
- Optional choice of trim colours
- Radiant and convected heat
- Full glass door, optional glass support colours
- Primary, secondary and tertiary burn to improve fuel efficiency
- Direct air compatible
- Two position door mechanism to assist cold lighting
- Top flue fitting 127mm (5in)
- Internal flue fitting and flue damper for ease of installation

## Dimensions

Width	476 mm
Height	582 mm
Depth (inc. handle)	423 mm
Ideal log length	200 mm

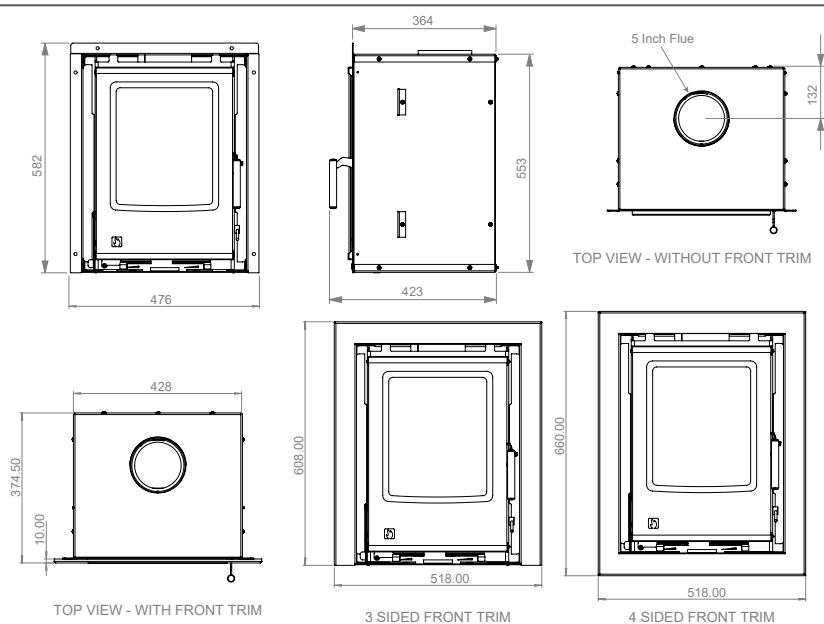


i400 shown with standard stainless steel glass supports and optional 4-sided 60mm trim

*Optional Extras: 3 or 4-sided 60mm trims / Optional glass support and trim colours*



# I Series Cassette – i400 (S3)



## Dimensions

Height (external)	582 mm
Width (external)	476 mm
Depth (external inc. handle)	423 mm
Height (internal into fireplace)	553 mm
Width (internal into builders opening)	428 mm
Depth (internal into builders opening)	364 mm
Depth to Top Flue Opening	132 mm
Flue Diameter	127 mm / 5 inch
Ideal log length / diameter	200mm / 100mm

## Performance

	Wood Fuel	Solid Fuel
Energy Efficiency Class	A+	D
Nett Efficiency	82.6 %	83 %
Nominal Output	4.9 kW	5 kW
Output Range	1.5 — 6 kW	
Mean Co Emission (@13% O <sub>2</sub> )	0.08 %	0.05 %
DIN+ particulate	19 Nmg/m <sup>3</sup>	15 Nmg/m <sup>3</sup>
Mean NO <sub>x</sub> Emission (@13% O <sub>2</sub> )	91 Nmg/m <sup>3</sup>	143 Nmg/m <sup>3</sup>
Mean OGC Emission (@13% O <sub>2</sub> )	66 Nmg/m <sup>3</sup>	23 Nmg/m <sup>3</sup>
Flue Gas Mass Flow	3.8 g/s	3 g/s
Flue Gas Temperature	267 °C	264 °C
Typical Fuel load for nominal rated output per hour (kWh/Kg)	1.10 (Seasoned hardwood)	1.08 (MSF Maxibrite)

## Features

Stove body type	Cassette
Ecodesign Ready	Yes
Suitable for smoke control areas	Yes
Suitable for direct air connection	Yes
Suitable for non-combustible 12mm hearth	Yes
Weight gross (packed kg)	65 Kg
Weight nett (unpacked kg)	60 Kg

## Minimum distance to materials

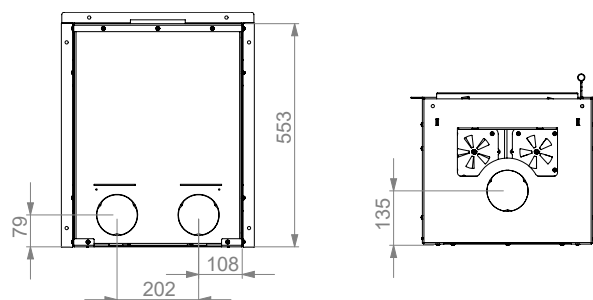
(Standard flue connection)

Max. hearth temperature (directly under stove)	44.2 °C
--	---------

	SIDES	TOP MANTEL
Combustibles	170 mm	695 mm
Non-Combustibles	100 mm	100 mm

## Direct air connection

Rear (floor to centre)	79 mm
Base (back to centre)	135 mm



NOTE: ONLY ONE REAR DIRECT AIR CONNECTION IS REQUIRED

We recommend this appliance is installed with clearance of 100mm to non-combustible materials  
Installation and operating instructions for this stove are available online at [www.aradastoves.com](http://www.aradastoves.com).

# I Series Cassette – i500 (S3)



The third-generation i500 is shown with optional 4-sided trim and stainless steel glass supports (standard)

*The third-generation of Arada I Series stoves are sleek, cutting-edge cassette stoves, the perfect choice for the modern, energy-conscious households.*

*With this generation features significant comes improvements in fuel efficiency and reduced emissions than previous iSeries stoves.*

*A redesigned pre-heated airwash system keeps the glass clearer than ever before. I Series stoves can be installed at the hearth level or raised-up for the 'media-wall' effect, with optional 60mm trims in different colours for tidy installation into tiled walls.*

## Features

- Lifetime guarantee
- Ecodesign, exempt appliance suitable for use in Smoke Control Areas
- Preheated airwash system for clean glass
- Burns Wood or Solid Smokeless Fuels
- Stainless steel ash pan
- 3 and 4-sided 60mm decorative trim options
- Optional choice of trim colours
- Radiant and convected heat
- Full glass door, optional glass support colours
- Primary, secondary and tertiary burn to improve fuel efficiency
- Direct air compatible
- Two position door mechanism to assist cold lighting
- Top flue fitting 127mm (5in)
- Internal flue fitting and flue damper for ease of installation

## Dimensions

Width	578 mm
Height	582 mm
Depth	423 mm
Ideal log length	300 mm

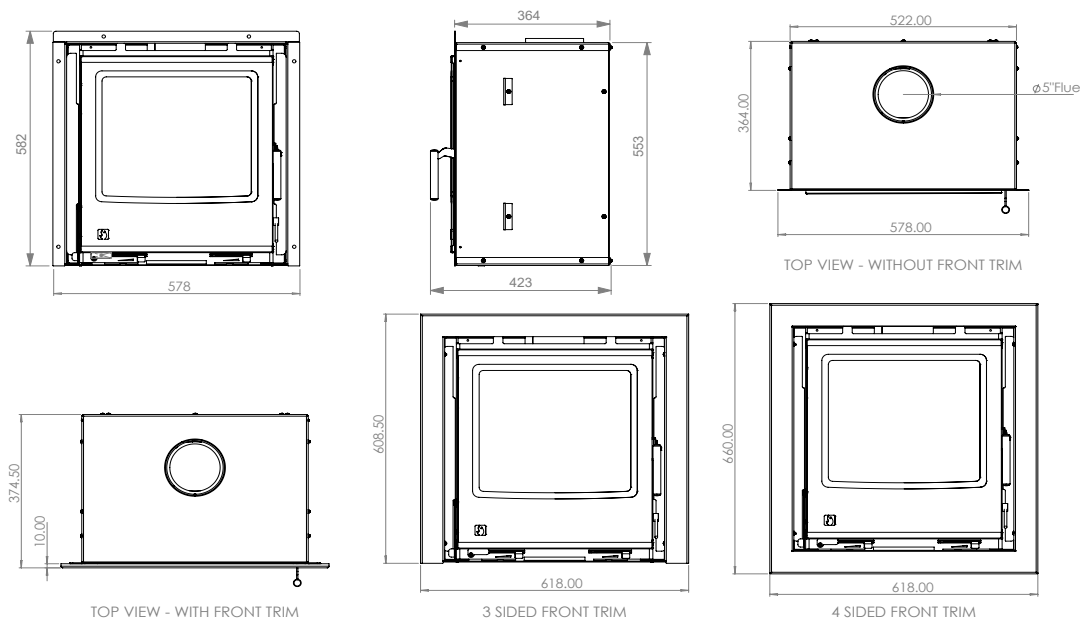


i500 shown with standard stainless steel glass supports and optional 4-sided 60mm trim

*Optional Extras: 3 or 4-sided 60mm trims / Optional glass support and trim colours*



# I Series Cassette – i500 (S3)



## Dimensions

Height (external)	582 mm
Width (external)	578 mm
Depth (external inc. handle)	423 mm
Height (internal into fireplace)	553 mm
Width (internal into builders opening)	525 mm
Depth (internal into builders opening)	364 mm
Depth to Top Flue Opening	132 mm
Flue Diameter	127 mm / 5 inch
Ideal log length / diameter	300mm / 100mm

## Performance

	Wood Fuel	Solid Fuel
Energy Efficiency Class	A	D
Nett Efficiency	76.5 %	81 %
Nominal Output	5.6 kW	
Output Range	2 — 7 kW	
Mean Co Emission (@13% O <sub>2</sub> )	0.06 %	
DIN+ particulate	32 Nmg/m <sup>3</sup>	35 Nmg/m <sup>3</sup>
Mean NO <sub>x</sub> Emission (@13% O <sub>2</sub> )	74 Nmg/m <sup>3</sup>	98 Nmg/m <sup>3</sup>
Mean OGC Emission (@13% O <sub>2</sub> )	44 Nmg/m <sup>3</sup>	16 Nmg/m <sup>3</sup>
Flue Gas Mass Flow	5.4 g/s	3.8 g/s
Flue Gas Temperature	292 °C	301 °C
Typical Fuel load for nominal rated output per hour (kWh/Kg)	1.28 (Seasoned hardwood)	0.80 (MSF Maximibrite)

## Features

Stove body type	Cassette
Ecodesign Ready	Yes
Suitable for smoke control areas	Yes
Suitable for direct air connection	Yes
Suitable for non-combustible 12mm hearth	Yes
Weight gross (packed kg)	100 Kg
Weight nett (unpacked kg)	93 Kg

## Minimum distance to materials

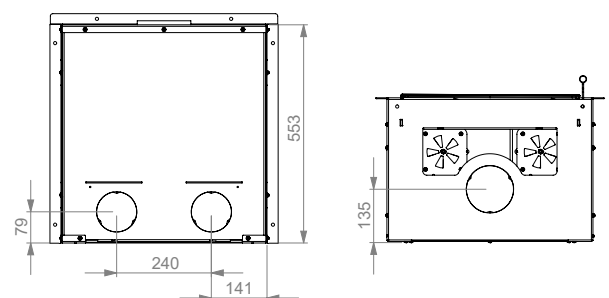
(Standard flue connection)

Max. hearth temperature (directly under stove)	68 °C
--	-------

	SIDES	TOP MANTEL
Combustibles	130 mm	850 mm
Non-Combustibles	100 mm	100 mm

## Direct air connection

Rear (floor to centre)	79 mm
Base (back to centre)	135 mm



NOTE: ONLY ONE REAR DIRECT AIR CONNECTION IS REQUIRED

We recommend this appliance is installed with clearance of 100mm to non-combustible materials  
Installation and operating instructions for this stove are available online at [www.aradastoves.com](http://www.aradastoves.com).

# I Series Cassette – i600 (S3)



The third-generation i600 is shown with optional 4-sided trim and stainless steel glass supports (standard)

*The third-generation of Arada I Series stoves are sleek, cutting-edge cassette stoves, the perfect choice for the modern, energy-conscious households.*

*With this generation features significant comes improvements in fuel efficiency and reduced emissions than previous iSeries stoves.*

*A redesigned pre-heated airwash system keeps the glass clearer than ever before. I Series stoves can be installed at the hearth level or raised-up for the 'media-wall' effect, with optional 60mm trims in different colours for tidy installation into tiled walls. The i600 is the only model in this range that is available with colour door glass options.*

## Features

- Lifetime guarantee
- Ecodesign, exempt appliance suitable for use in Smoke Control Areas
- Preheated airwash system for clean glass
- Burns Wood or Solid Smokeless Fuels
- Stainless steel ash pan
- 3 and 4-sided 60mm decorative trim options
- Optional choice of trim colours
- Optional door glass colours
- Radiant and convected heat
- Full glass door, optional glass support colours
- Primary, secondary and tertiary burn to improve fuel efficiency
- Direct air compatible
- Two position door mechanism to assist cold lighting
- Top flue fitting 127mm (5in)
- Internal flue fitting and flue damper for ease of installation

## Dimensions

Width	676 mm
Height	582 mm
Depth (inc. handle)	423 mm
Ideal log length	350 mm

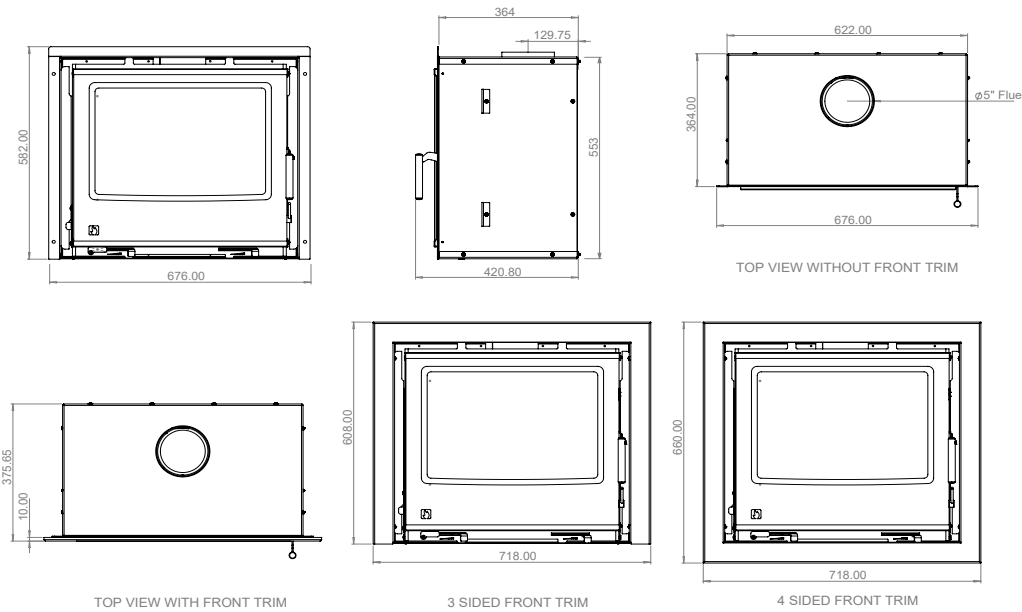


i600 shown with standard stainless steel glass supports and optional 4-sided 60mm trim

*Optional Extras: 3 or 4-sided 60mm trims / Optional door glass, glass support & trim colours*



# I Series Cassette – i600 (S3)



## Dimensions

Height (external)	582 mm
Width (external)	676 mm
Depth (external inc. handle)	423 mm
Height (internal into fireplace)	553 mm
Width (internal into builders opening)	628 mm
Depth (internal into builders opening)	364 mm
Flue Diameter	127 mm / 5 inch
Ideal log length / diameter	350mm / 100mm

## Performance

	Wood Fuel	Solid Fuel
Energy Efficiency Class	A	D
Nett Efficiency	78.1 %	80.3 %
Nominal Output	6.2 kW	5.9 kW
Output Range	2.5 — 8 kW	
Mean Co Emission (@13% O <sub>2</sub> )	0.07 %	0.11 %
DIN+ particulate	31 Nmg/m <sup>3</sup>	32 Nmg/m <sup>3</sup>
Mean NO <sub>x</sub> Emission (@13% O <sub>2</sub> )	92 Nmg/m <sup>3</sup>	174 Nmg/m <sup>3</sup>
Mean OGC Emission (@13% O <sub>2</sub> )	68 Nmg/m <sup>3</sup>	56 Nmg/m <sup>3</sup>
Flue Gas Mass Flow	5.4 g/s	4.3 g/s
Flue Gas Temperature	297 °C	293 °C
Typical Fuel load for nominal rated output per hour (kWh/Kg)	1.46 (Seasoned hardwood)	0.87 (MSF Maxibrite)

## Features

Stove body type	Cassette
Ecodesign Ready	Yes
Suitable for smoke control areas	Yes
Suitable for direct air connection	Yes
Suitable for non-combustible 12mm hearth	Yes
Weight gross (packed kg)	105 Kg
Weight nett (unpacked kg)	100 Kg

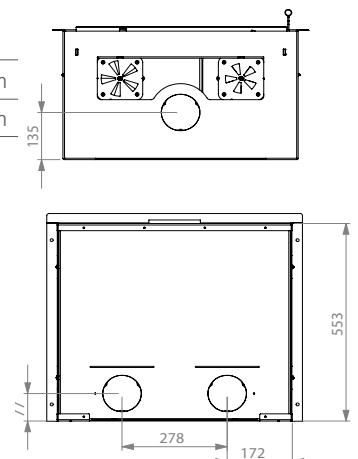
## Minimum distance to materials

(Standard flue connection)

Max. hearth temperature (directly under stove)	86 °C	
	SIDES	TOP MANTEL
Combustibles	75 mm	700 mm
Non-Combustibles	100 mm	100 mm

## Direct air connection

Rear (floor to centre)	77 mm
Base (back to centre)	135 mm



NOTE: ONLY ONE REAR DIRECT AIR CONNECTION IS REQUIRED

We recommend this appliance is installed with clearance of 100mm to non-combustible materials  
Installation and operating instructions for this stove are available online at [www.aradastoves.com](http://www.aradastoves.com).

# Hoxton 7



Hoxton 7

*Achieve effortless style with this versatile Hoxton 7 kW wood burning ecodesign stove. This cylindrical body stove with its huge curved glass door will create a visual statement in any home. For added style and practicality the Hoxton can be paired with the pedestal or log store accessories, both available in short or tall configurations.*

*Hoxton has excellent fuel efficiency and low emissions meeting approval of the clearSkies scheme.*

## Features

- Ecodesign Ready
- Lifetime guarantee
- Simple, discreet air controls
- Top or rear 5" flue outlet
- Direct air compatible
- Approved for use in Smoke Control Areas
- Log store and pedestal accessories available
- Click-close door latch
- Available in other colour options

## Dimensions

Width	545 mm
Height	771 mm
Depth	425 mm
Ideal log length / diameter	250 / 100 mm



Hoxton with optional tall pedestal accessory



Hoxton with optional tall log store accessory



Convenient, tidy storage (short log store shown)

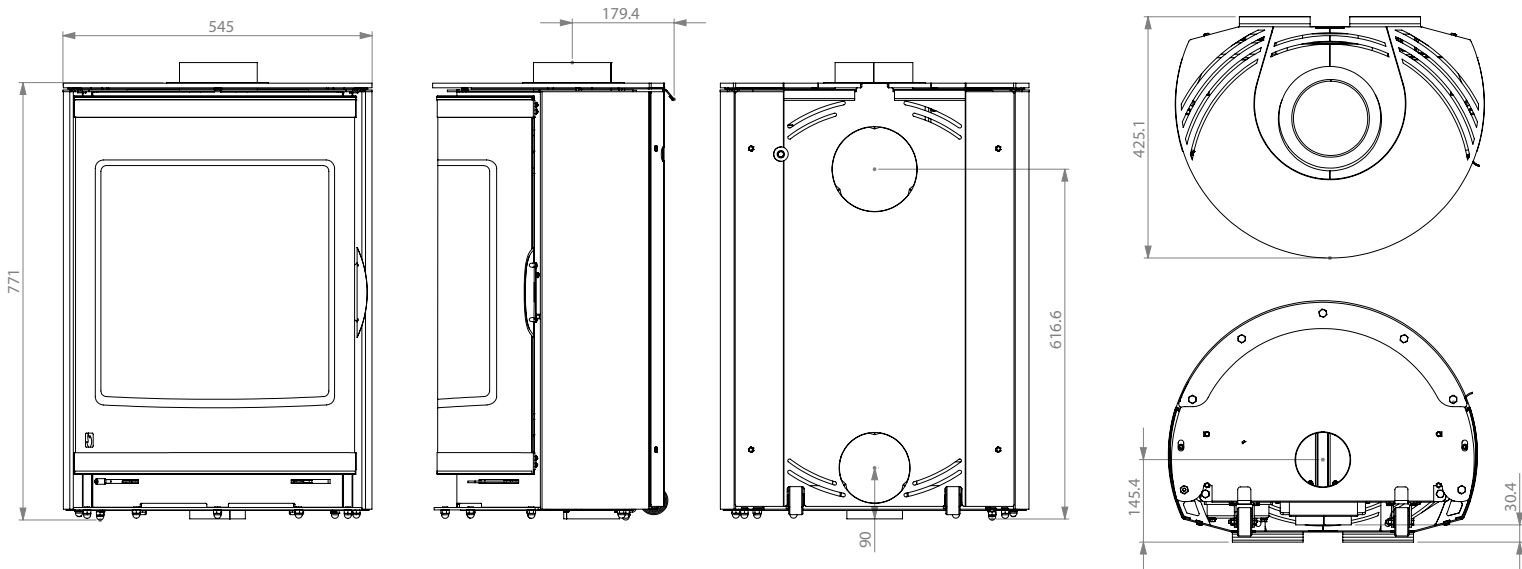


Curved glass door with click-close door latch

*Optional Extras: Matt Black Handle / Short or Tall Log store / Short or Tall Pedestal*



# Hoxton 7



## Dimensions

Width (across footprint)	545 mm
Height (top of canopy to base)	771 mm
Short log store height / total height	219 mm / 990 mm
Tall log store height / total height	312 mm / 1083 mm
Short pedestal height / total height	206 mm / 977 mm
Tall pedestal height / total height	312 mm / 1083 mm
Depth	425 mm
Flue Diameter	127 mm
Depth from back to centre of top flue	180 mm
Axis height of rear flue	617 mm
Ideal log length / diameter	250 mm / 100 mm

## Performance

	Wood Fuel
Energy Efficiency Class	A
Nett Efficiency	78.6 %
Nominal Output	7.3 Kw
Mean Co Emission (@13% O <sub>2</sub> )	0.1%
DIN+ particulate	34 Nmg/m <sup>3</sup>
Mean NO <sub>x</sub> Emission (@13% O <sub>2</sub> )	85 Nmg/m <sup>3</sup>
Mean OGC Emission (@13% O <sub>2</sub> )	80 Nmg/m <sup>3</sup>
Flue Gas Mass Flow	5.6 g/s
Flue Gas Temperature	313 °C
Nominal output/hr (typical fuel load)	2.04 kWh/Kg (seasoned hardwood)

## Features

Stove body type	Freestanding
Ecodesign Ready	Yes
Approved for smoke control areas	Yes
Suitable for direct air connection	Yes
Suitable for non-combustible 12mm hearth	Yes
Weight nett (unpacked kg)	113 Kg

## Minimum distance to combustibles

With single-walled flue fitted	
Rear	250 mm
Side	500 mm
With twin-walled flue fitted	
Rear	200 mm
Side	500 mm
Max hearth temperature	32 °C

## Direct air spigot location

(when viewing the rear side of the stove)

Spigot diameter	100 mm
Height from floor (standard feet)	90 mm
Axis distance from rear (from underneath)	146 mm
Lateral position	Centre

We recommend this appliance is installed with clearance of 100mm to non-combustible materials and 500mm to combustible beams above the stove.

Installation and operating instructions for this stove are available online at [www.aradastoves.com](http://www.aradastoves.com).

# Lagom 4 Ceramic



Lagom 4 Ceramic

*The Lagom's 4kW modern cylindrical body stove with curved glass door is certain to draw admiring looks. This high efficiency, low emission wood burning stove is Ecodesign Ready. The Lagom features integrated lower storage areas convenient for tucking away kindling, operating tool or safety gloves.*

## Features

- Ecodesign Ready
- 10 year guarantee
- Ceramic white body style
- Handy integrated storage area
- Self-closing door
- Simple, discreet air controls
- Top or rear 6" flue outlet
- Direct air compatible

## Dimensions

Width	528 mm
Height	996 mm
Depth	398 mm
Ideal log length	250 mm



Lagom 4 Ceramic



Simple air controls



Smart storage area

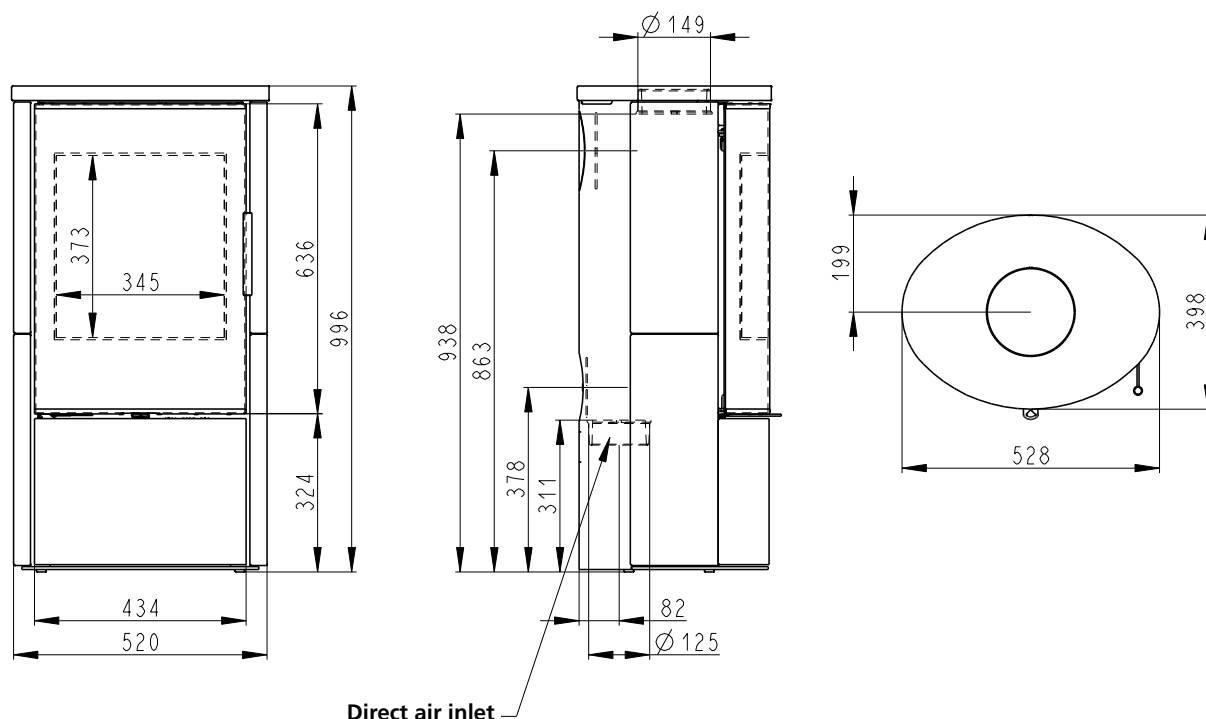


Discreet ash pan access

Lagom is produced under licence by our EU partner



# Lagom 4 Ceramic



## Dimensions

Width	528 mm
Height	996 mm
Depth	398 mm
Flue Diameter	149 mm
Depth from back to centre of top flue	199 mm
Axis height of rear flue	863 mm
Ideal log length	250 mm

## Features

Stove body type	Freestanding
Ecodesign Ready	Yes
Approved for smoke control areas	No
Suitable for direct air connection	Yes
Suitable for non-combustible 12mm hearth	Yes
Weight gross (packed kg)	123 Kg

## Performance

	Wood Fuel
Energy Efficiency Class	A+
Nett Efficiency	80.5 %
Nominal Output	4.0 Kw
Mean Co Emission (@13% O <sub>2</sub> )	1192 mg/m <sup>3</sup>
Mean CO <sub>2</sub> Emission	9.59 %
DIN+ particulate	15 Nmg/m <sup>3</sup>
Mean NO <sub>x</sub> Emission (@13% O <sub>2</sub> )	111 Nmg/m <sup>3</sup>
Mean OGC Emission (@13% O <sub>2</sub> )	68 Nmg/m <sup>3</sup>
Flue Gas Mass Flow	4 g/s
Flue Gas Temperature	247 °C
Average wood consumption	1.2kg / hr

## Minimum distance to combustibles

With single-walled flue fitted	
Rear	100 mm
Side	100 mm
Top	1200 mm

## Direct air spigot location

(when viewing the rear side of the stove)

Spigot diameter	125 mm
Spigot orientation	Vertical
Height from floor	311 mm
Axis distance from rear	82 mm
Lateral position	Centre

We recommend this appliance is installed with clearance of 100mm to non-combustible materials  
Installation and operating instructions for this stove are available online at [www.aradastoves.com](http://www.aradastoves.com).

# Lagom 4 Steel



Lagom 4 Steel

*The Lagom's 4kW modern cylindrical body stove with curved glass door is certain to draw admiring looks. This high efficiency, low emission wood burning stove is Ecodesign Ready*

*The Lagom features integrated lower storage areas convenient for tucking away kindling, operating tool or safety gloves.*

## Features

- Ecodesign Ready
- 10 year guarantee
- Black steel body style
- Handy integrated storage area
- Self-closing door
- Simple, discreet air controls
- Top or rear 6" flue outlet
- Direct air compatible



Lagom 4 Steel

## Dimensions

Width	528 mm
Height	974 mm
Depth	398 mm
Ideal log length	250 mm



Simple air controls



Smart storage area

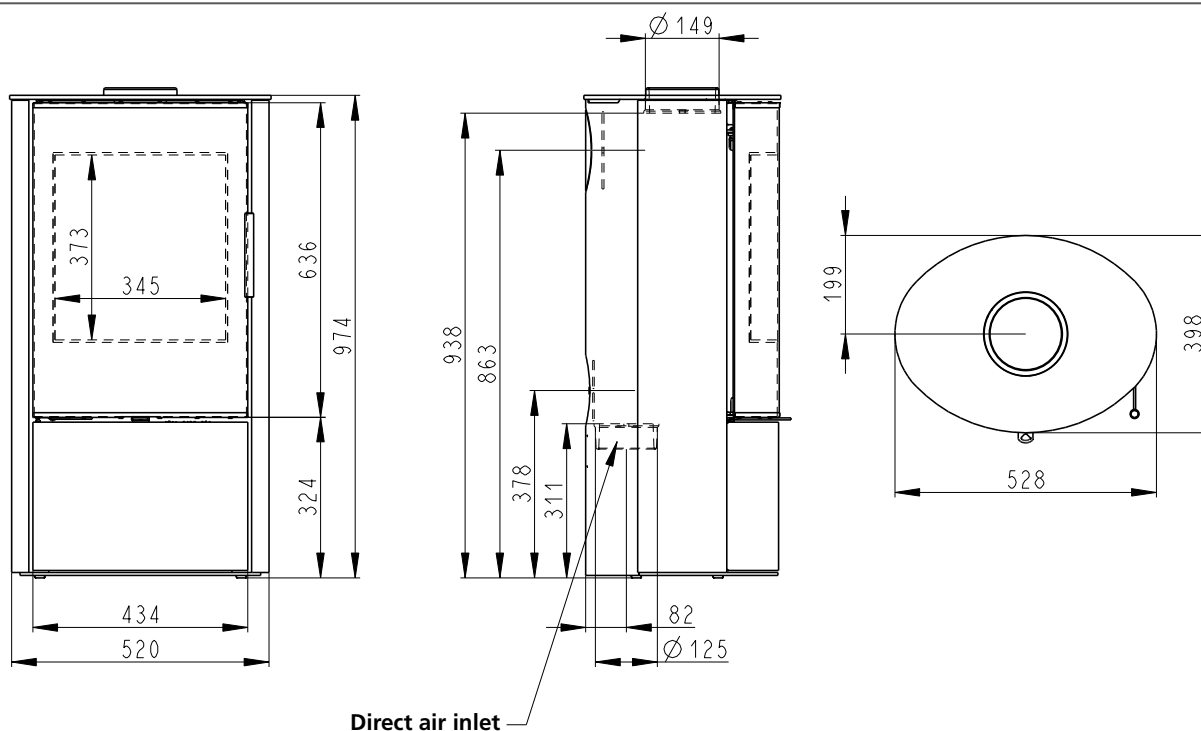


Discreet ash pan access

Lagom is produced under licence by our EU partner



# Lagom 4 Steel



## Dimensions

Width	528 mm
Height	974 mm
Depth	398 mm
Flue Diameter	149 mm
Depth from back to centre of top flue	199 mm
Axis height of rear flue	863 mm
Ideal log length	250 mm

## Performance

	Wood Fuel
Energy Efficiency Class	A+
Nett Efficiency	80.5 %
Nominal Output	4.0 Kw
Mean Co Emission (@13% O <sub>2</sub> )	1192 mg/m <sup>3</sup>
Mean CO <sub>2</sub> Emission	9.59 %
DIN+ particulate	15 Nmg/m <sup>3</sup>
Mean NO <sub>x</sub> Emission (@13% O <sub>2</sub> )	111 Nmg/m <sup>3</sup>
Mean OGC Emission (@13% O <sub>2</sub> )	68 Nmg/m <sup>3</sup>
Flue Gas Mass Flow	4 g/s
Flue Gas Temperature	247 °C
Average wood consumption	1.2kg / hr

## Features

Stove body type	Freestanding
Ecodesign Ready	Yes
Approved for smoke control areas	No
Suitable for direct air connection	Yes
Suitable for non-combustible 12mm hearth	Yes
Weight gross (packed kg)	123 Kg

## Minimum distance to combustibles

With single-walled flue fitted	
Rear	100 mm
Side	100 mm
Top	1200 mm

## Direct air spigot location

(when viewing the rear side of the stove)

Spigot diameter	125 mm
Spigot orientation	Vertical
Height from floor	311 mm
Axis distance from rear	82 mm
Lateral position	Centre

We recommend this appliance is installed with clearance of 100mm to non-combustible materials  
Installation and operating instructions for this stove are available online at [www.aradastoves.com](http://www.aradastoves.com).

# ARADA

DEVON

## COLOUR OPTIONS

Metallics & The Bold Edit

### Robust and easy to clean

Our paints are resistant to very high temperatures and easy to keep clean.

### Non-smoker paint

There's no curing time with any of our paints and no unpleasant curing odour either.

### Also available in Black

If colour is not for you, our stoves will always be available in Midnight Black as standard.

## METALLICS

### Express yourself with colour

Seize the opportunity to show your individuality with our four metallic shades, guaranteed to make an impactful statement in your living space.



MIST



CHESTNUT



ATLANTIC



SPICE

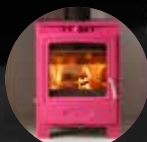


## THE BOLD EDIT

### A unique new look for stoves

THE BOLD EDIT is a palette of four exciting shades that are exclusive to Arada.

Striking and happiness inducing, with a major side of dopamine, these shades will no doubt inspire and inject fun for those creating an interior with serious punch.



FLAMINGO



MIAMI



PEAPOD

RAINCOAT

\* THE BOLD EDIT colours are not recommended for stoves over 7kW, and not suitable for painting single-walled flues

# ARADA

DEVON

## COLOUR OPTIONS

The Earth Collection

### Heritage colours inspired by nature



TERRACOTTA



CLAY

Organic, rich and luxurious, the Earth Collection is a series of six sophisticated shades that are defined by the striking colour palette of the natural world.

With the aim to inspire, the warm tones are design-led and impactful, while remaining classic and adaptable to suit any interior.



PINE



GRAPHITE



PEBBLE



STRAW

\* THE EARTH COLLECTION colours are not recommended for stoves over 7kW, and not suitable for painting single-walled flues